



StecaGrid Control

StecaGrid Control monitors a system with a maximum output of 3,600 watts.

In Germany, Austria and France, for example, due to the applicable standards, the use of a StecaGrid Control D1 with grid-monitoring function (MSD) and integrated residual current circuit breaker is mandatory. In countries without impedance monitoring, e.g. the Netherlands, StecaGrid Control N is used.

The frontal display of the StecaGrid Control shows both the amount of energy produced by the MiniString inverters, and the current system status.



Electronic protection functions

- Universal current sensitive residual current monitoring

Displays

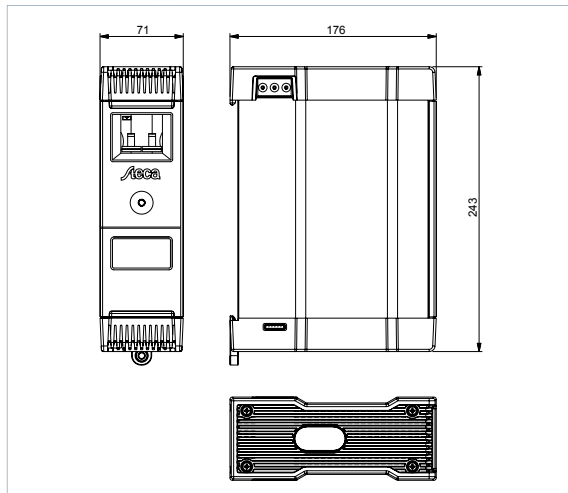
- Text LCD display
 - for energy yield

Operation

- Main switch

Options

- Grid monitoring as per DIN VDE 0126-1-1 for StecaGrid Control D1



	StecaGrid Control N	StecaGrid Control D1
AC output side (Grid connection)		
Grid voltage	-*	196 V ... 253 V
Rated grid voltage	230 V	
Maximum output current	16 A	
Maximum output power	3,600 W	
Rated frequency	50 Hz	
Frequency	-*	49.8 Hz ... 50.2 Hz
Night-time power loss	2.4 W	
Feeding phases	single-phase	
Safety		
Grid monitoring	none	compliant with DIN VDE 0126-1-1
Earth leakage circuit breaker	30 mA [DC sensitivity is suitable for StecaGrid 300 / 500]	30 mA [DC sensitivity is suitable for StecaGrid 300 / 500]
Operating conditions		
Area of application	indoor rooms, with or without air conditioning	
Ambient temperature	-20 °C ... +45 °C	
Relative humidity	0 % ... 95 %	
Noise emission	< 30 dBA	
Fitting and construction		
Degree of protection	IP 20	
AC output side connection	1.5 m mains cable with mains plug	Wieland Electric GST 18i V plug
Data connection	Steca data coupling [provided with the inverter]	
Dimensions (X x Y x Z)	176 x 243 x 71 mm	
Weight	1.75 kg	
Test certificate	CE mark	

* is not monitored.

[areas of application]

